

EFFECTIVE:  
**20-JUL-11**

# VERTICAL MOTORS

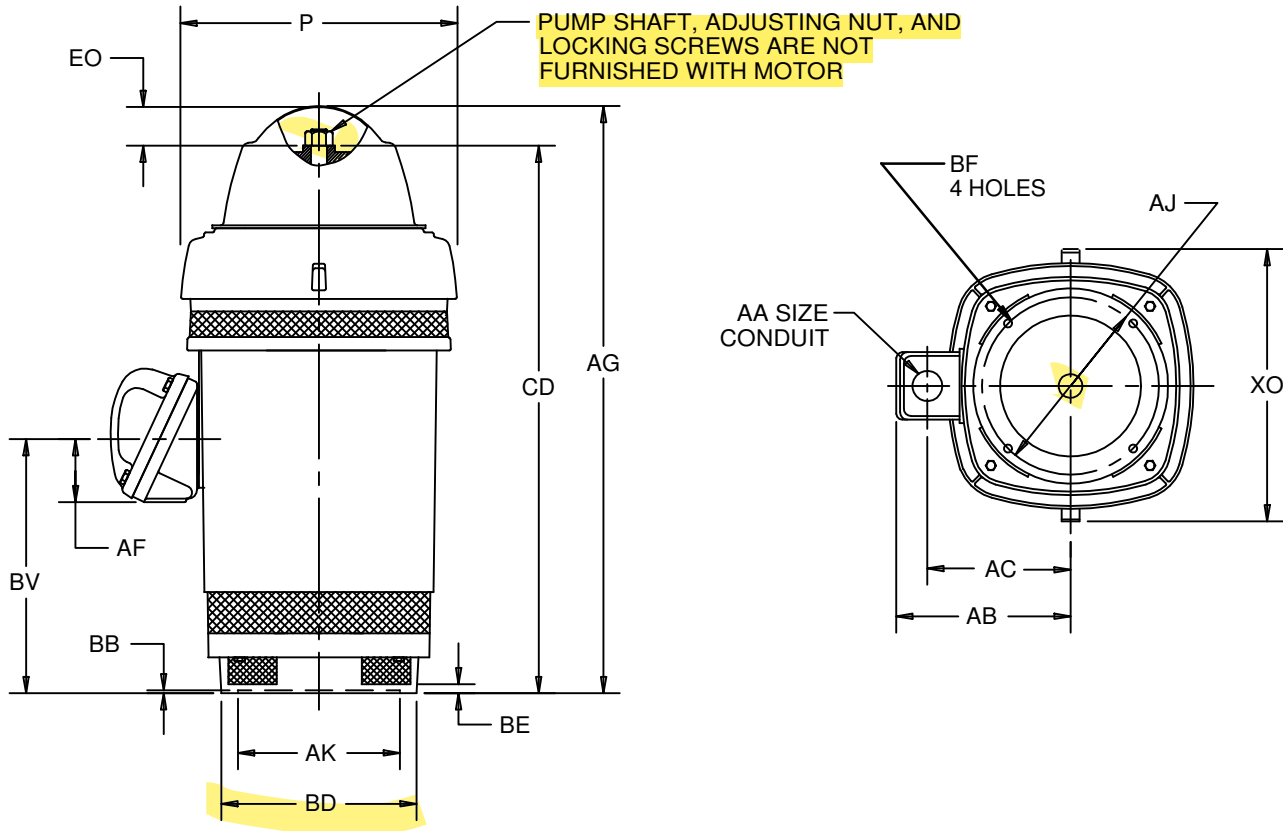
## WEATHER PROTECTED TYPE I

PRINT:  
**09-2228**

SUPERSEDES:  
**22-FEB-11**

**FRAME: H444, H445TP, TPA**  
BASIC TYPE: RU

SHEET:  
**1 OF 1**



ALL DIMENSIONS ARE IN INCHES AND MILLIMETERS

UNITS	P <sup>2</sup>	AG	AJ	AK +.005	BB MIN	BE	BF	BV	CD	EO	XO
IN	23.38	50.06	14.750	13.500	.25	.75	.69	21.19	44.78	5.13	27.50
MM	594	1272	374.65	342.90	6	19	18	538	1137	130	699

CONDUIT BOX MATERIAL	UNITS	AA	AB	AC	AF
STEEL	IN	3.00	18.94	14.44	4.72
	MM		481	367	120
CAST IRON	IN	3 1/2 NPT	18.56	14.31	5.28
	MM		471	363	134

FRAME	UNITS	BD MAX
H444, H445TP	IN	16.50
	MM	419
H444, H445TPA	IN	20.00
	MM	508

TOLERANCES	
FACE RUNOUT	.007 T.I.R.
PERMISSIBLE ECCENTRICITY OF MOUNTING RABBIT	.007 T.I.R.

- 1: ALL ROUGH DIMENSIONS MAY VARY BY .25" DUE TO CASTING AND/OR FABRICATION VARIATIONS.
- 2: LARGEST MOTOR WIDTH.
- 3: CONDUIT OPENINGS MAY BE LOCATED IN STEPS OF 90 DEGREES REGARDLESS OF LOCATION. STANDARD AS SHOWN WITH CONDUIT OPENING DOWN.
- 4: TOLERANCES SHOWN ARE IN INCHES ONLY.

09-2228/F

**Nidec Motor Corporation**  
St. Louis, Missouri

INFORMATION DISCLOSED ON THIS DOCUMENT IS CONSIDERED PROPRIETARY AND SHALL NOT BE REPRODUCED OR DISCLOSED WITHOUT WRITTEN CONSENT OF NIDEC MOTOR CORPORATION



ISSUED BY  
**E. WENDT**  
APPROVED BY  
**K. POTTER**

IHP\_DP\_NMCA (MAR-2011) SOLIDEDGE